

**CONSISTENT COLOUR.  
OUTSTANDING FINISH.**



# CREATE BUSINESS OPPORTUNITIES

The SurePress L-6034 Inkjet Digital Label Press makes high-quality short-run printing easier and more efficient, streamlining your workflow and adding to your bottom line.

At Epson, we take a personalised interest in your business and want to see it succeed and expand with the use of our technologies. The SurePress L-6034WW is ideal for short to medium run jobs. It features advanced UV ink and varnish capabilities, taking label printing to a whole new level. The printheads, UV inks and hardware are developed by Epson to deliver the best possible performance and reliability.

The press uses CMYK inks with a high opacity white, and innovative digital varnish. The label press delivers precise quality with higher reliability, flexibility, and performance. Our PrecisionCore inkjet technology sets a new standard for quality, productivity and durability in digital label printing.



# EASE OF USE

Your operations will become more flexible. Make-ready time is reduced and substrate and ink changeover is quick and efficient. Operation is simple and maintenance requirements are minimal, which means you'll quickly see an increase in both productivity and profitability.

## **USER-FRIENDLY INTERFACE, TOUCH-SCREEN OPERATION**

---

The touch-screen panel is extremely simple to use with an easy-to-understand interface that keeps you in control of every aspect of printing. Job configuration can be quickly set and operating status can be readily checked at any time. Settings for specific types of jobs can be saved, so set-up is even faster the next time for repeat jobs.



## **EFFICIENT INK CHANGEOVER MINIMISES DOWNTIME**

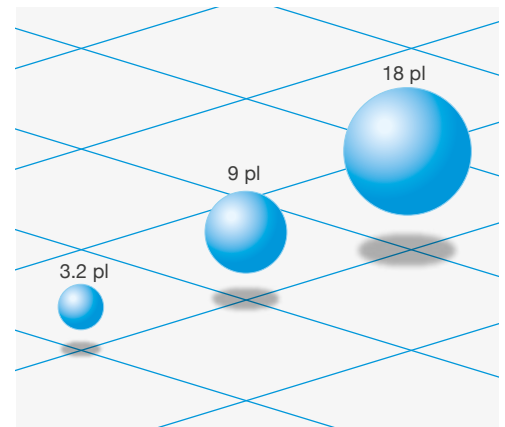
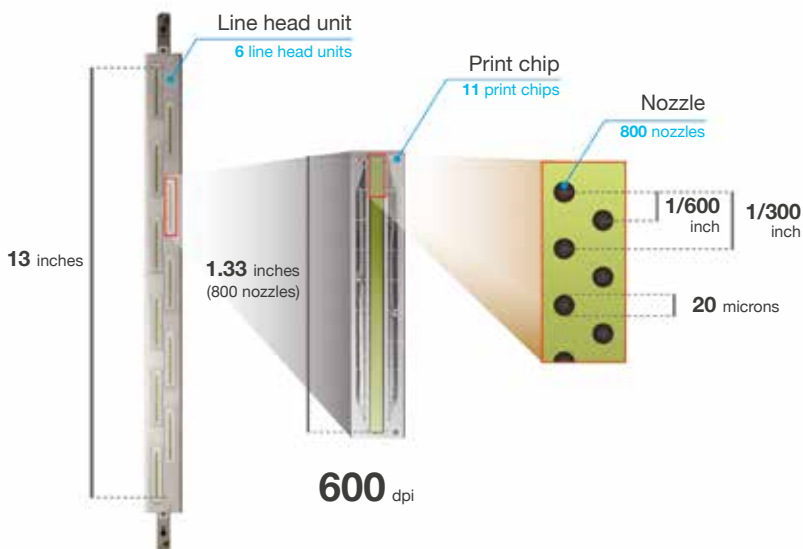
---

The ink cartridge draw is easy to access and ink replacement is quick and straightforward with no need to stop the press - simply replace the ink cartridge and continue printing.



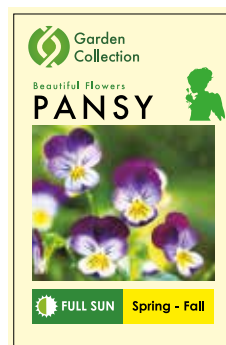
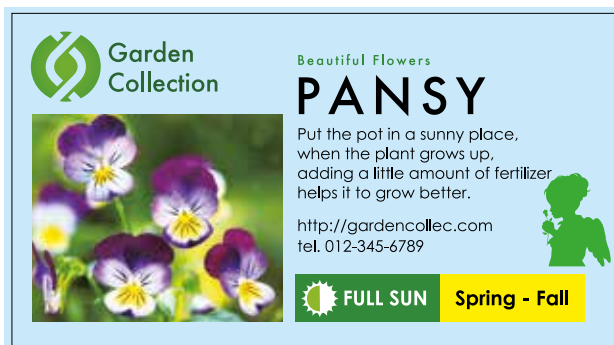
# ACCURATE DROPLET TECHNOLOGY AND PIN-SHARP PRECISION

The PrecisionCore linehead is the key behind the high performance and reliability of the SurePress L-6034VW. Each of the six lineheads comprise of PrecisionCore print chip modules, delivering precise quality with accuracy, Variable Size Droplet Technology and high resolution.



Our new low energy LED-cured UV ink and digital varnish technologies are optimised to work with the PrecisionCore print head. This results in vibrant colour, smooth gradations and ultra-fine text, lines and images.

Variable Size Droplet Technology



**PINNING TECHNOLOGY**

Our sophisticated pinning technology controls the spread of ink dots to achieve fine half-tones, smooth vignettes and pin-sharp detail and text.



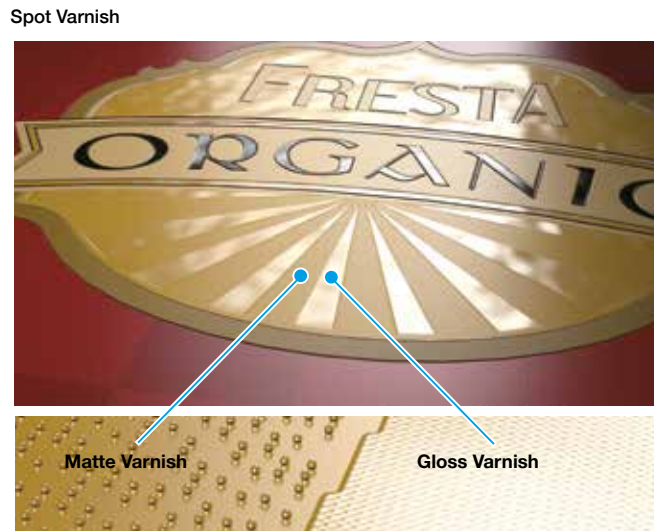
**WHITE INK**

The single pass high-opacity white ink provides the ideal base layer for printing vivid colour on clear or metallised substrates. This bright white ink also gives the ability to print opaque fine text and lines, even when printing clear labels for clear products and offers the flexibility to print white on top of colours.



**DIGITAL VARNISH**

With the innovative digital varnish, a gloss or matte finish can be printed selectively or overall. High value and very appealing partial accents can even be added using matte or gloss finish to really lift the visual appearance of specific areas. The different finishes are achieved simultaneously by changing the way the digital varnish is applied.



# HIGH QUALITY, EXCEPTIONAL DURABILITY

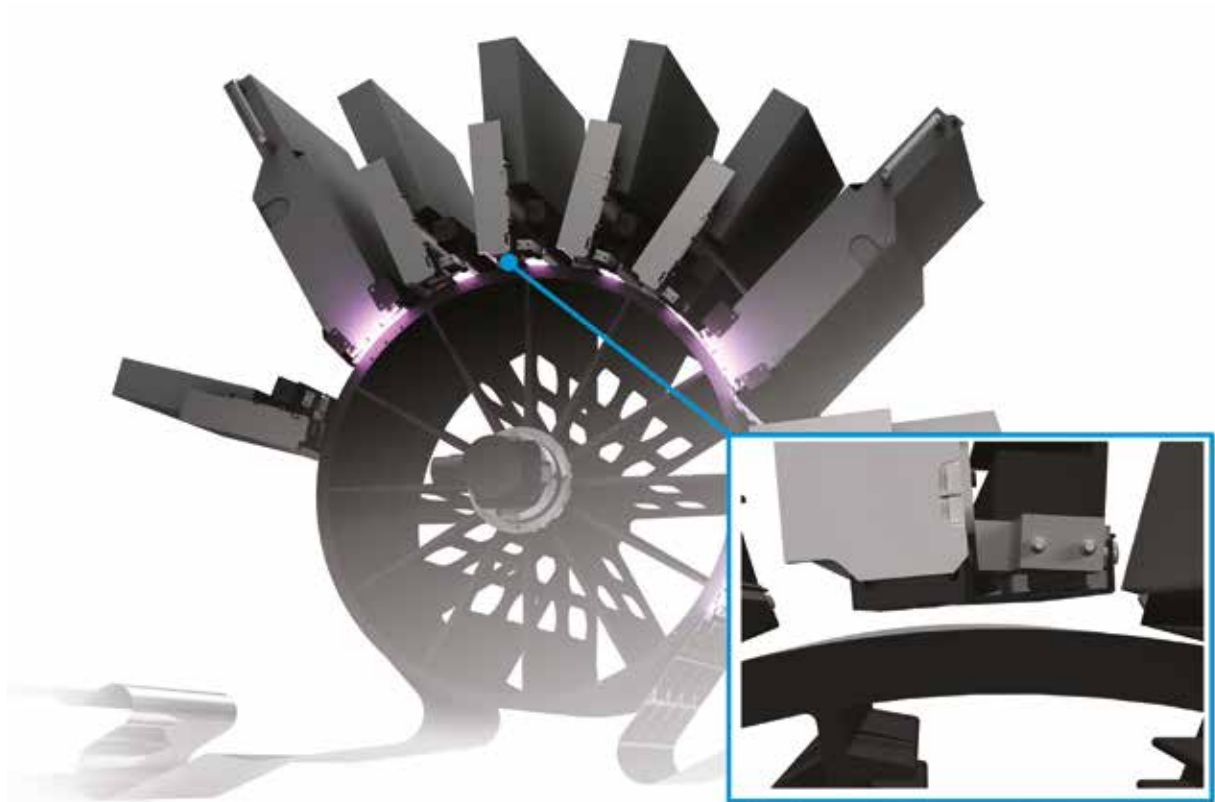
The quick-curing UV ink boosts productivity and offers excellent weather, chemical and scratch resistance, that endures even the most severe environments. Approved under BS5609, the internationally recognised standard for labels, used in Marine Environments.



## CENTRAL DRUM SYSTEM

The central drum system feeds the substrate with high precision to maintain colour-to-colour registration and accuracy. The system minimises the heat expansion or shrinkage of substrates, enabling various types to be used.

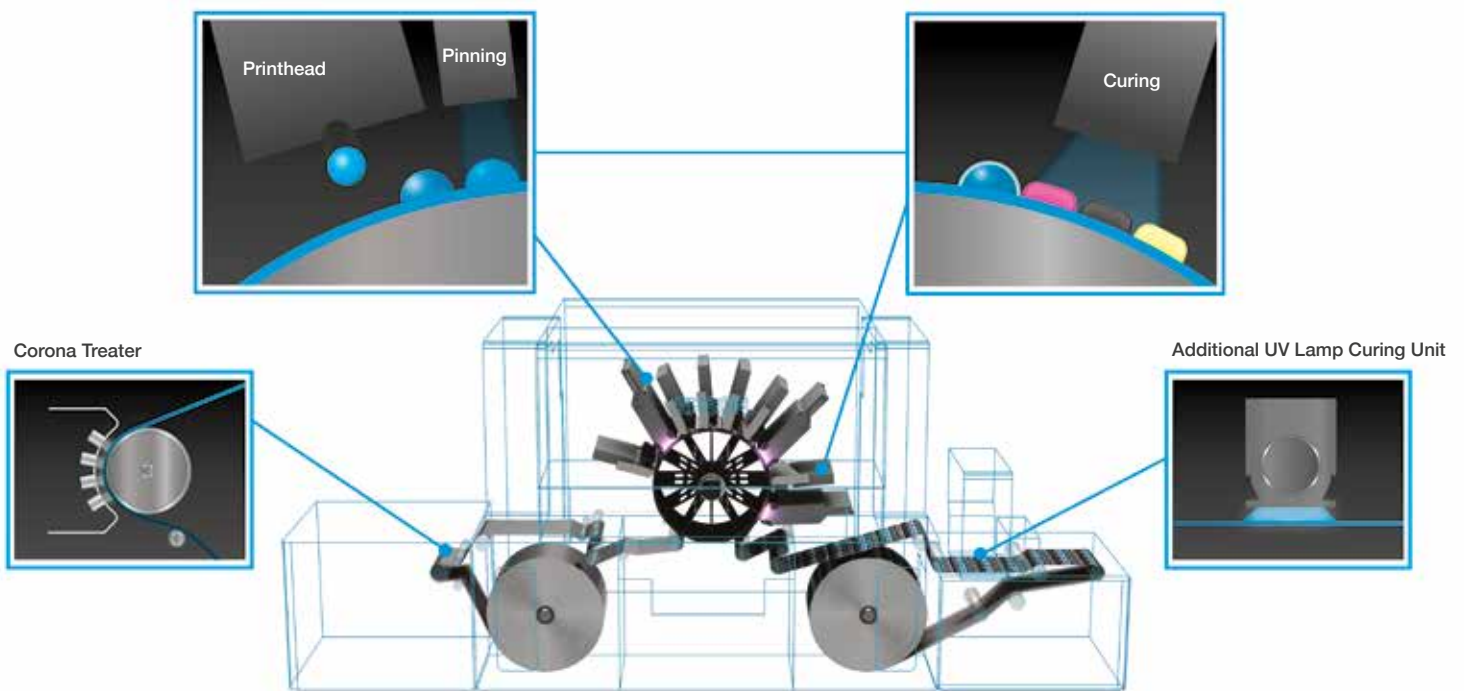
The central drum ensures the small gap between the printhead and substrate is kept to a minimum, which enables the ink to be placed more precisely onto the substrate to minimise colour unevenness.



Epson's central drum system

Print gap kept to a minimum.

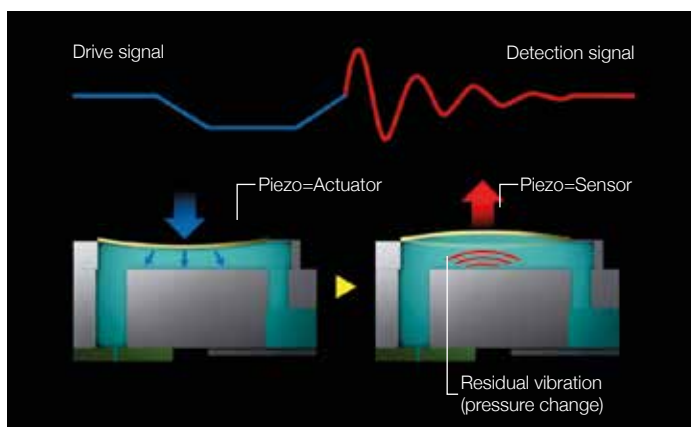
# FLEXIBILITY IS STANDARD



## INTELLIGENT AUTOMATION

Unique to Epson is Nozzle Verification Technology, which can automatically check if a nozzle is firing and can initiate a cleaning cycle if necessary.

Nozzle Verification Technology

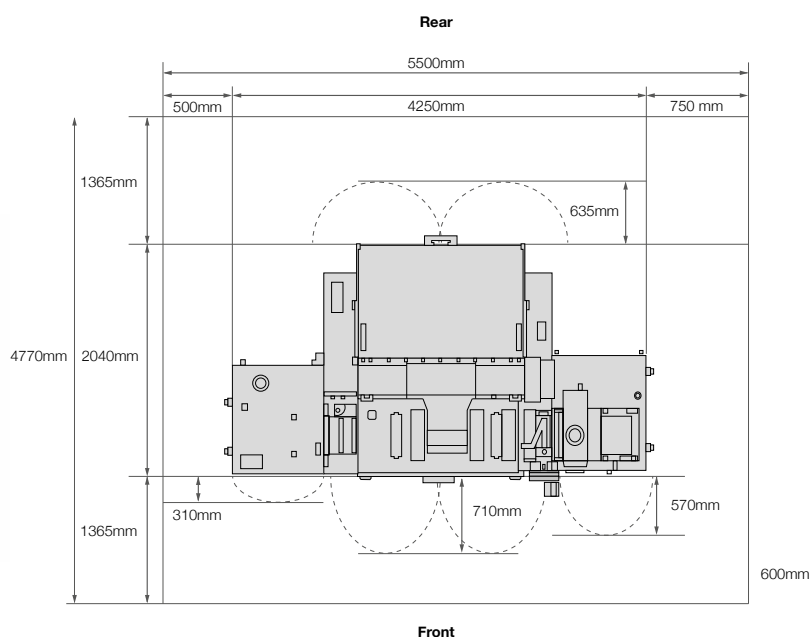


Automatic Cleaning Wiper



# SPECIFICATIONS

<b>SurePress L-6034VW</b>	
<b>Print technology</b>	PrecisionCore linehead inkjet technology
<b>Resolution</b>	600 x 600 dpi
<b>Ink type</b>	LED UV curing inks
<b>Ink cartridges</b>	Black, Cyan, Magenta, Yellow, White, Digital Varnish
<b>Web width</b>	80mm to 340mm, adjustable to support any width in this range
<b>Image size</b>	330mm x 1000mm maximum
<b>Print speed</b>	Normal mode 15m/min
<b>Substrate support</b>	Self-adhesive label stock, PP, PE and PET, cast, coated, and uncoated paper, and foil
<b>Substrate thickness</b>	80 to 320 microns
<b>Unwinder capacity (max)</b>	100kg Weight/600mm Diameter with 76.2mm inner core
<b>Network connectivity</b>	Ethernet 1000 Base-T
<b>Dimensions of Press (WxDxH)</b>	4250mm x 2285mm x 2485mm
<b>Weight</b>	2770kg



A2723-brochure-hires-en-GB-SurePress-L-6034VW

Better Products  
for a Better Future™



For more information please contact:

Telephone: 01952 607111 (UK)  
01 436 7742 (Republic of Ireland)  
E-mail: enquiries@epson.co.uk  
Chat: etalk.epson-europe.com  
Fax: 0871 222 6740

Web: www.epson.co.uk  
www.epson.ie

\* Local call rate.

Trademarks and registered trademarks are the property of Seiko Epson Corporation or their respective owners.  
Product information is subject to change without prior notice.

**EPSON®**