

EPSON

RC90/RC180 Option
Teach Pendant

TP2

Rev.3

EM153P2927F

RC90/RC180 Option Teach Pendant TP2 Rev.3

RC90/RC180 Option
Teach Pendant

TP2

Rev.3

Copyright © 2011-2015 SEIKO EPSON CORPORATION. All rights reserved.

FOREWORD

Thank you for purchasing our robot products.

This manual contains the information necessary for the correct use of the Teach Pendant.

Please carefully read this manual and other related manuals before installing the robot system.

Keep this manual handy for easy access at all times.

WARRANTY

The robot system and its optional parts are shipped to our customers only after being subjected to the strictest quality controls, tests, and inspections to certify its compliance with our high performance standards.

Product malfunctions resulting from normal handling or operation will be repaired free of charge during the normal warranty period. (Please ask your Regional Sales Office for warranty period information.)

However, customers will be charged for repairs in the following cases (even if they occur during the warranty period):

1. Damage or malfunction caused by improper use which is not described in the manual, or careless use.
2. Malfunctions caused by customers' unauthorized disassembly.
3. Damage due to improper adjustments or unauthorized repair attempts.
4. Damage caused by natural disasters such as earthquake, flood, etc.

Warnings, Cautions, Usage:

1. If the robot system associated equipment is used outside of the usage conditions and product specifications described in the manuals, this warranty is void.
2. If you do not follow the WARNINGS and CAUTIONS in this manual, we cannot be responsible for any malfunction or accident, even if the result is injury or death.
3. We cannot foresee all possible dangers and consequences. Therefore, this manual cannot warn the user of all possible hazards.

TRADEMARKS

Microsoft, Windows, and Windows logo are either registered trademarks or trademarks of Microsoft Corporation in the United States and/or other countries. Other brand and product names are trademarks or registered trademarks of the respective holders.

TRADEMARK NOTATION IN THIS MANUAL

Microsoft® Windows® XP Operating system

Microsoft® Windows® Vista Operating system

Microsoft® Windows® 7 Operating system

Throughout this manual, Windows XP, Windows Vista and Windows 7 refer to above respective operating systems. In some cases, Windows refers generically to Windows XP, Windows Vista and Windows 7.

NOTICE

No part of this manual may be copied or reproduced without authorization.

The contents of this manual are subject to change without notice.

Please notify us if you should find any errors in this manual or if you have any comments regarding its contents.

INQUIRIES

Contact the following service center for robot repairs, inspections or adjustments.

If service center information is not indicated below, please contact the supplier office for your region.

Please prepare the following items before you contact us.

- Your controller model and its serial number
- Your manipulator model and its serial number
- Software and its version in your robot system
- A description of the problem

SERVICE CENTER

--

MANUFACTURER

Seiko Epson Corporation

Toyoshina Plant

Robotics Solutions Operations Division

6925 Toyoshina Tazawa,

Azumino-shi, Nagano, 399-8285

Japan

TEL : +81-(0)263-72-1530

FAX : +81-(0)263-72-1495

SUPPLIERS

North & South America

Epson America, Inc.

Factory Automation/Robotics

18300 Central Avenue

Carson, CA 90746

USA

TEL : +1-562-290-5900

FAX : +1-562-290-5999

E-MAIL : info@robots.epson.com

Europe

Epson Deutschland GmbH

Factory Automation Division

Otto-Hahn-Str.4

D-40670 Meerbusch

Germany

TEL : +49-(0)-2159-538-1391

FAX : +49-(0)-2159-538-3170

E-MAIL : robot.infos@epson.de

China

Epson (China) Co., Ltd.

Factory Automation Division

7F, Jinbao Building No. 89, Jinbao Street,

Dongcheng District, Beijing,

China, 100005

TEL : +86-(0)-10-8522-1199

FAX : +86-(0)-10-8522-1120

Taiwan

Epson Taiwan Technology & Trading Ltd.

Factory Automation Division

14F, No.7, Song Ren Road, Taipei 110,

Taiwan, ROC

TEL : +886-(0)-2-8786-6688

FAX : +886-(0)-2-8786-6677

Korea

Epson Korea Co., Ltd.
Marketing Team (Robot Business)
27F DaeSung D-Polis A, 606
Seobusaet-gil, Geumcheon-gu, Seoul, 153-803
Korea
TEL : +82-(0)-2-3420-6692
FAX : +82-(0)-2-558-4271

Southeast Asia

Epson Singapore Pte. Ltd.
Factory Automation System
1 HarbourFront Place, #03-02,
HarbourFront Tower One,
Singapore 098633
TEL : +65-(0)-6586-5696
FAX : +65-(0)-6271-3182

India



Epson India Pvt. Ltd.
Sales & Marketing (Factory Automation)
12th Floor, The Millenia, Tower A, No. 1,
Murphy Road, Ulsoor, Bangalore,
India 560008
TEL : +91-80-3051-5000
FAX : +91-80-3051-5005


Japan

Epson Sales Japan Corporation
Factory Automation Systems Department
Nishi-Shinjuku Mitsui Bldg.6-24-1
Nishishinjuku, Shinjuku-ku, Tokyo 160-8324
Japan
TEL : +81-(0)3-5321-4161

Before Reading This Manual

Following descriptions are indicated throughout the manual by these symbols.

NOTE 	The “NOTE” sections describe important information to be followed for operating the Robot system.
TIP 	The “TIP” sections describe hints for easier or alternative operations.


 NOTE Do not connect the TP2 to following Robot Controllers. Connecting to following Robot Controllers may result in malfunction of the device since the pin assignments are different.
RC420 / RC520 / SRC5** / SRC-3** / SRC-2**

If you use Robot Controller RC180, the Teach Pendant TP2 (option) operation is restricted depending on controller S/N.

S/N: 10001 or later: Available.

S/N: 10000 or below: Teach Pendant cannot be recognized by Robot Controller.

Robot system cannot function except the EMERGENCY STOP switch.

 NOTE A coordinate point including the arm pose is defined as “position (point),” and the data is called “point data.”

Functions & Installation

1	Safety	3
1.1	Conventions.....	3
1.2	Safety Precautions	3
1.3	EMERGENCY STOP.....	7
1.4	Mode Selector Key Switch	8
1.5	Using Teach Pendant in Safeguarded Area	8
2	Specifications	9
2.1	Part Names and Functions.....	9
2.2	Standard Specifications.....	10
2.3	Outer Dimensions.....	11
3	Installation	12
3.1	Contents	12
3.2	Environmental Conditions	12
3.3	Operating Precautions.....	12
3.4	Connection.....	13
3.4.1	Typical cable connection	13
3.4.2	Connection to the Controller.....	14
3.5	Power Supply.....	14
4	Operation Mode (TEACH/AUTO)	15
4.1	Outline	15
4.2	Switch Operation Mode	16
5	Operation Panel (Key Description)	17
6	Enable Switch	20
7	Warning Sound (Beep)	23

Operation

1 Teaching Procedure	23
1.1 Jog Operation	23
1.2 Teaching	24
1.3 Direct Teaching	25
2 TEACH Mode	26
2.1 Jog & Teach	27
2.1.1 Current Position Display	28
2.1.2 Resetting Error	29
2.1.3 Motor ON/OFF	29
2.1.4 Executing Return to Home	29
2.1.5 Specifying Jog Speed	30
2.1.6 Executing Jog Motion	30
2.1.7 Changing Local / Tool / Arm / ECP	30
2.1.8 Jog Mode	32
2.1.9 Jog Distance	32
2.1.10 SFREE	33
2.1.11 Teaching Operation	34
2.1.12 Saving Point Data to File	34
2.1.13 Loading Point Data from File	35
2.2 Point Editor	36
2.2.1 Switching Point Editor Display	37
2.2.2 Editing Point Data	37
2.2.3 Deleting Point Data	38
2.3 I/O Command	39
2.3.1 Input Status Display	39
2.3.2 Changing Outputs Bit	39
2.4 Motion Command	40
2.4.1 Executing Motion Command	40
2.4.2 Jump Z(0)	42
2.4.3 Jump	42
2.4.4 Go	43
2.4.5 Move	43
2.4.6 Arc	44
2.4.7 Arc3	45
2.4.8 GoHereTLZ	45
2.4.9 MoveHereTLZ	46

2.5	Free Joints	47
2.5.1	SFREE for Each Joint	47
2.5.2	SFREE for All Joints	48
2.6	Brake	49
2.6.1	Turn the brake ON	49
2.6.2	Turn the brake OFF	49
3	AUTO Mode	50
3.1	AUTO	50
3.2	System History.....	51
3.3	Errors / Warnings	51
4	Troubleshooting	52
5	Maintenance Parts List	53




Functions & Installation

This section contains information about functions and installation of the Teach Pendant to be known before operation and maintenance.

1. Safety


1.1 Conventions


Important safety considerations are indicated throughout the manual by the following symbols. Be sure to read the descriptions shown with each symbol.


 WARNING	This symbol indicates that a danger of possible serious injury or death exists if the associated instructions are not followed properly.
 WARNING	This symbol indicates that a danger of possible harm to people caused by electric shock exists if the associated instructions are not followed properly.
 CAUTION	This symbol indicates that a danger of possible harm to people or physical damage to equipment and facilities exists if the associated instructions are not followed properly.


1.2 Safety Precautions

For details of Safety, refer to *Safety* Chapter in the *User's Guide*. Please read and understand the chapter before using the robot system.

 WARNING	<ul style="list-style-type: none"> ■ Only trained personnel should design and install the robot system. Trained personnel are defined as those who have taken robot system training and maintenance training classes held by the manufacturer, dealer, or local representative company, or those who understand the manuals thoroughly and have the same knowledge and skill level as those who have completed the training courses. ■ Only authorized personnel who have taken the safety training should be allowed to execute teaching or calibration of the robot system. The safety training is the program for industrial robot operator that follows the laws and regulations of each nation. The personnel who have taken the safety training acquire knowledge of industrial robots (operations, teaching, etc.). The personnel who have completed the robot system-training class held by the manufacturer, dealer, or locally-incorporated company are allowed to maintain the robot system.
--	---

 WARNING	<ul style="list-style-type: none"> ■ Only authorized personnel who have taken the safety training should be allowed to maintain the robot system. The safety training is the program for industrial robot operator that follows the laws and regulations of each nation. The personnel who have taken the safety training acquire knowledge of industrial robots (operations, teaching, etc.), knowledge of inspections, and knowledge of related rules/regulations. The personnel who have completed the robot system-training and maintenance-training classes held by the manufacturer, dealer, or locally incorporated company are allowed to maintain the robot system. ■ Immediately press the EMERGENCY STOP switch whenever you suspect any danger. The Teach Pendant is equipped with an EMERGENCY STOP switch. Before operating the Teach Pendant, make sure that the EMERGENCY STOP switch on the Teach Pendant functions properly. Operating the Teach Pendant when the switch does not function properly is extremely hazardous and may result in serious bodily injury and/or serious damage to the equipment, as the switch cannot fulfill its intended function in an emergency. When nothing appears on its display window, the Teach Pendant is not connected with the Controller. In this case, the EMERGENCY STOP switch on the Teach Pendant will not function. ■ If the Teach Pendant is not connected to the controller, DO NOT place it within easy reach during operation. You might press the EMERGENCY STOP switch on the unconnected Teach Pendant by mistake to stop the robot system in an emergency. Pressing the EMERGENCY STOP switch on the disconnected Teach Pendant in an emergency is extremely hazardous and may cause serious safety problems. ■ When entering the safeguarded area for teaching, change the mode of the Teach Pendant to TEACH and take out the key for the mode selector key switch and then enter the safeguarded area with the key. Leaving the key in the mode selector key switch is extremely hazardous and may cause serious safety problems as someone else may inadvertently change the mode to the automatic operation.
--	---

 WARNING	<ul style="list-style-type: none"> ■ Be sure to connect the cables between the Controller and the Teach Pendant properly. Do not allow unnecessary strain on the cables. (Do not put heavy objects on the cables. Do not bend or pull the cables forcibly.) The unnecessary strain on the cables may result in damage to the cables, disconnection, and/or contact failure. Damaged cables, disconnection, or contact failure is extremely hazardous and may result in electric shock and/or improper function of the system. Do not use the cables near heat or fire.
--	---

 CAUTION	<ul style="list-style-type: none"> ■ Do not shock the Teach Pendant physically or place any object on Teach Pendant. A liquid crystal display is used for the Teach Pendant display. If the display is damaged, liquid crystal may leak out. Liquid crystal is harmful. If it sticks on your skin or clothes, immediately wash your skin and clothes thoroughly with clean water and soap immediately. ■ The Teach Pendant must be used within the environmental conditions described in this manual. This product has been designed and manufactured strictly for use in a normal indoor environment. Using this product in the environment that exceeds the conditions may not only shorten the life cycle of the product but also cause serious safety problems. ■ Do not disassemble, repair, or modify the Teach Pendant by yourself. Improper disassembly, repair, or modification of the Teach Pendant may cause not only improper function of the robot system but also serious safety problems.
---	---

Safety-related Requirements

Specific tolerances and operating conditions for safety are contained in the manuals for the robot, controller and other devices. Be sure to read those manuals as well.

Robot systems safety standard and other examples are given in this chapter. Therefore, to ensure that safety measures are complete, please refer to the other standards listed as well.

(Note: The following is only a partial list of the necessary safety standards.)

EN ISO 10218-1	Robots and robotic devices -- Safety requirements for industrial robots -- Part 1: Robots
EN ISO 10218-2	Robots and robotic devices -- Safety requirements for industrial robots -- Part 2: Robot systems and integration
ANSI/RIA R15.06	American National Standard for Industrial Robots and Robot Systems -- Safety Requirements
EN ISO 12100	Safety of machinery -- General principles for design -- Risk assessment and risk reduction
EN ISO 13849-1	Safety of machinery -- Safety-related parts of control systems -- Part 1: General principles for design
EN ISO 13850	Safety of machinery -- Emergency stop -- Principles for design
EN ISO 13855	Safety of machinery -- Positioning of safeguards with respect to the approach speeds of parts of the human body.
EN ISO 13857	Safety of machinery -- Safety distances to prevent hazard zones being reached by upper and lower limbs.
ISO 14120	Safety of machinery -- Guards -- General requirements for the design and construction of fixed and movable guards
EN953	
IEC 60204-1	Safety of machinery -- Electrical equipment of machines -- Part 1: General requirements
EN 60204-1	
CISPR11	Industrial, scientific and medical (ISM) radio-frequency equipment
EN 55011	-- Electromagnetic disturbance characteristics -- Limits and methods of measurement
IEC 61000-6-2	Electromagnetic compatibility (EMC) -- Part 6-2: Generic standards
EN 61000-6-2	-- Immunity for industrial environments

RC180 Controller - UL Specification

Compatibility assessment of the UL specification model is performed according to the following standards.

- UL1740 (Third Edition, Dated December 7, 2007)**
- ANSI/RIA R15.06-1999**
- NFPA 79 (2007 Edition)**
- CSA/CAN Z434-03 (February 2003)**
- CE Marking (Machinery Directive, EMC Directive)**

1.3 EMERGENCY STOP



- Immediately press the Emergency Stop switch whenever you suspect any danger. The Teach Pendant is equipped with an Emergency Stop switch. Before operating the Teach Pendant, make sure that the Emergency Stop switch on the Teach Pendant functions properly. Operating the Teach Pendant when the switch does not function properly is extremely hazardous and may result in serious bodily injury and/or serious damage to the equipment, as the switch cannot fulfill its intended function in an emergency.
- When nothing appears on its display window, the Teach Pendant is not connected with the Controller. In this case, the Emergency Stop switch on the Teach Pendant will not function.

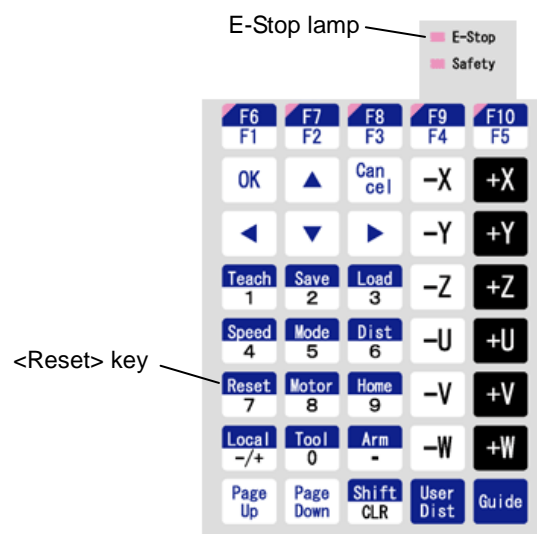
When the Emergency Stop switch is pushed, stops the programs execution and halts the robot excitation. Programs and point data will not be damaged.

When pushed, the Emergency Stop switch mechanically holds that state and electrically holds the emergency stop state.

Reset EMERGENCY STOP

Follow these steps to reset Emergency Stop condition.

- (1) Remove the cause of the Emergency Stop and verify that it is safe to operate the robot again.
- (2) Release the Emergency Stop switch. To release the mechanical latch, turn the Emergency Stop switch to the right.
- (3) Turn the Teach Pendant mode selector key switch to “Teach”.
- (4) Press the <Reset> key on the operation panel to reset the Emergency Stop.
- (5) Make sure that the E-Stop lamp on the operation panel is OFF.



1.4 Mode Selector Key Switch

The mode selector key switch is used to select TEACH or AUTO operation mode. For safety, if the mode is changed during program execution, all tasks will be stopped.

Mode switching during task execution

AUTO → TEACH

- (1) Press the <Stop> button of EPSON RC+ to stop all tasks normally.
- (2) Turn the mode selector key switch to “Teach”.

TEACH → AUTO

Turn the mode selector key switch to “Auto” and close the latch release input.

NOTE



The controller software latches that the operation mode is set to “TEACH”. To switch the mode from TEACH to AUTO, release the latched condition using the latch release input.

1.5 Using Teach Pendant in Safeguarded Area

When the mode selector switch of the Teach Pendant is switched to “Teach” mode, the operator can jog and move the robot to predefined points in slow speed when the Enable Switch is held down and the safeguard is open.

Personnel that will be using the Teach Pendant should be thoroughly trained on how to use it.

Follow these guidelines when using the Teach Pendant in the safeguarded area:

- (1) Before entering the safeguarded area to use the Teach Pendant, turn the mode selector key switch to “Teach”.

NOTE



The controller software latches that the operation mode is set to “TEACH”.

- (2) Enter the safeguarded area and perform the teaching operations.
- (3) Leave the safeguarded area and close the safeguard.
- (4) Return the mode selector key switch to “Auto”.

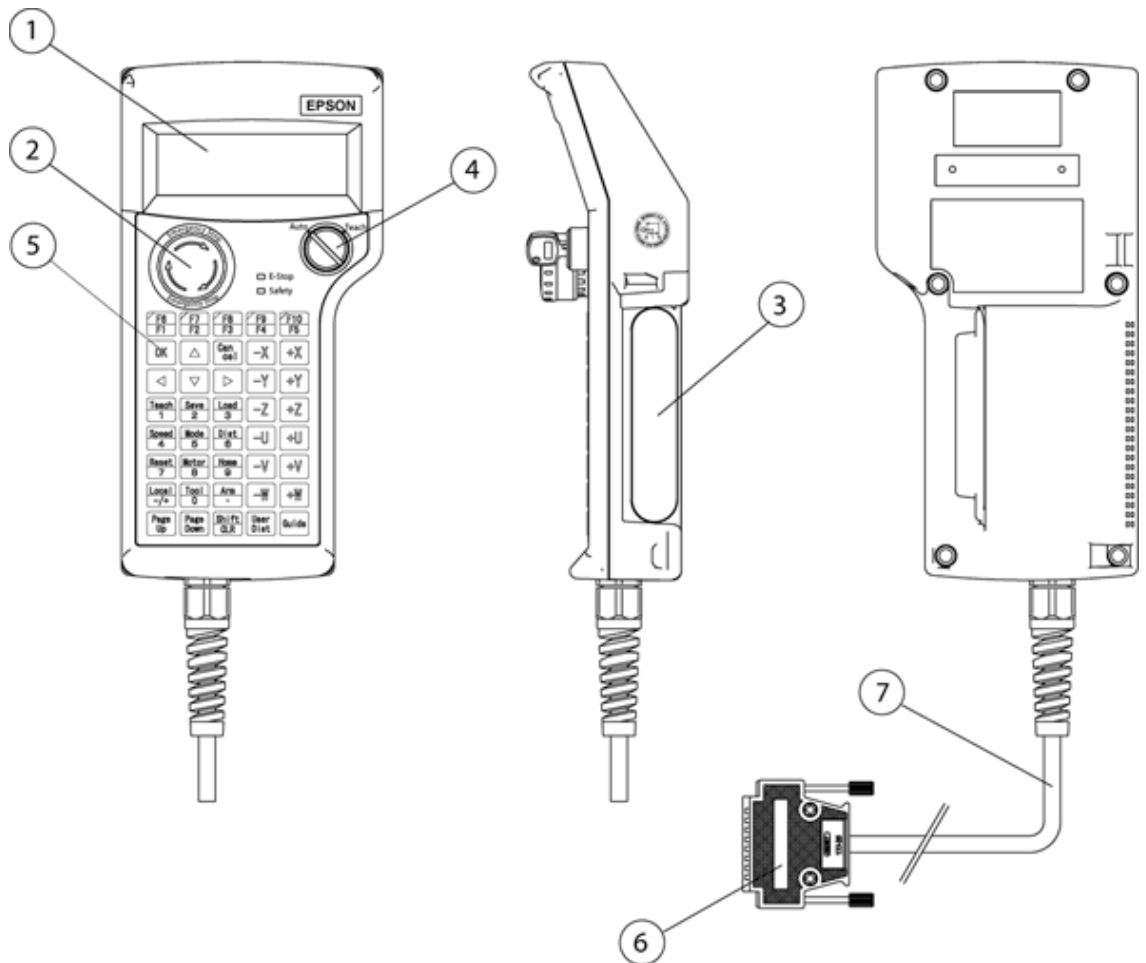
NOTE



To switch the mode from TEACH to AUTO, release the latched condition using the latch release input.

2. Specifications

2.1 Part Names and Functions



(1) Display

Displays various kinds of information.

(2) EMERGENCY STOP switch

When this switch is pushed, the Emergency Stop state is held both mechanically and electrically. Pushing the switch stops the program, removes power to robot motors and stops the manipulator motion immediately.

To cancel the Emergency Stop state, first turn the EMERGENCY STOP switch to the right to release the mechanical latch. Switch the mode selector key switch to "Teach". Press the <Reset> key to reset the electrically held Emergency Stop state. The E-STOP lamp goes OFF.

For the procedure to reset the EMERGENCY STOP switch, refer to *Setup & Operation 1.3 EMERGENCY STOP*.

(3) Enable Switch

This is a three-position switch. Motion and I/O output commands are available while the switch is held down when the Teach Pendant is operated in TEACH mode. The switch turns ON when it is at the midpoint, and it turns OFF when it is fully held down or released.

(4) Mode Selector Key Switch

The mode selector key switch is used to change the operation mode between TEACH and AUTO. The mode can be fixed by pulling out the key.



For the mode selecting, refer to *Function & Installation 1.4 Mode Selector Key Switch*.

(5) Operation Panel

Teaching operation, automatic operation and data input are available.

(6) Host Interface Connector

(7) Host Interface Cable (5 m)

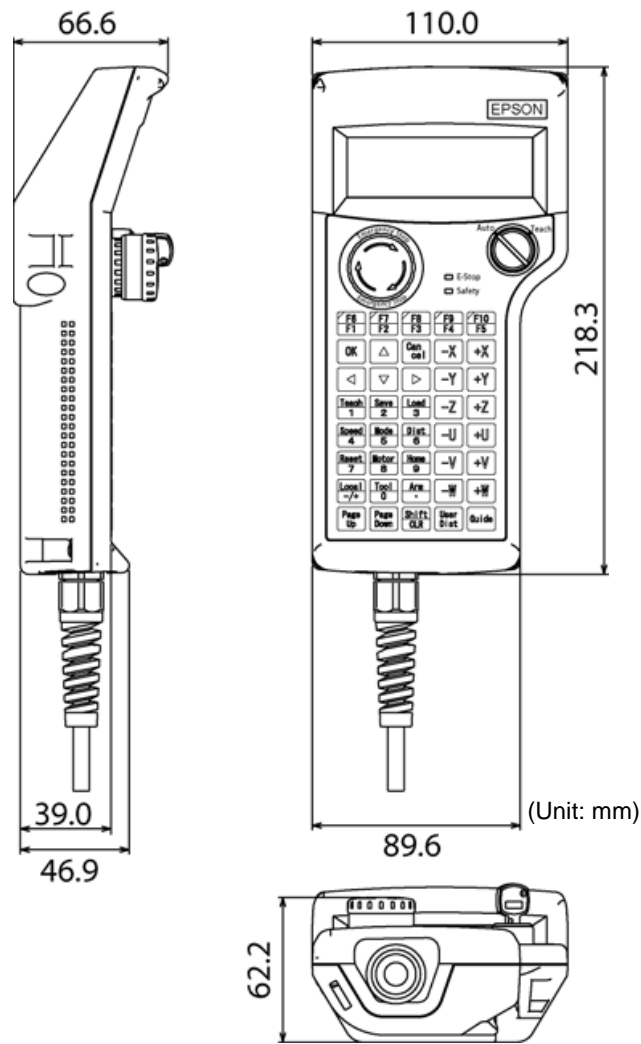
This is a cable to connect the Teach Pendant and the Controller.

The connector is attached at the end of the cable.

2.2 Standard Specifications

	Item	Specification
General specifications	Rated voltage	DC24 V
	Electric power consumption	2.8 W or less
	Weight	Approx. 400 g or less (excluding cables)
Display specifications	Display element	STN type Reflective black and white LCD
	Contrast	0 to 60
	Back light	0 to 255
Serial interface specifications	Electrical characteristics	Compliant with RS-422A standard

2.3 Outer Dimensions



3. Installation

3.1 Contents


- TP2 (with 5 m cables) : 1 unit
- Mode selector key : 2 units

3.2 Environmental Conditions

The Teach Pendant must be used in an environment that conforms to the following requirements to ensure safe and reliable operation.


Item	Condition
Ambient temperature	0 to 40 deg C (with minimal variation)
Ambient relative temperature	10 to 90%
Protection structure	IP54 (excluding the cable connector)
Environment	<ul style="list-style-type: none"> - Keep away from dust, oily smoke, salinity, metal powder and other contaminants. - Keep away from droplets of oil and chemicals. - Keep away from flammable or corrosive solvents and gases.

3.3 Operating Precautions

 CAUTION	<ul style="list-style-type: none"> ■ Do not drop the Teach Pendant or hit hard against other objects to avoid damage, as the case of the Teach Pendant may be damaged since the main body is made of resin. ■ Use the hand strap to prevent dropping the Teach Pendant during operation. ■ Do not hit the touch panel of the Teach Pendant against a hard object or put excessive pressure on it. The touch panel is made of glass. Therefore, if excessive pressure is put on it, it may be damaged. ■ Do not press or rub the surface of the front panel push buttons with a hard object such as a tool. The surface of the buttons may be damaged as they are easily scratched. ■ Wipe the dirt and oils adhering to the surface of the Teach Pendant display with a soft cloth dampened with a neutral detergent or an alcohol solvent.
--	--

3.4 Connection

This section indicates the connection of the Controller and the Teach Pendant.

 CAUTION	<ul style="list-style-type: none"> ■ Be sure to connect the cables of Controller and Teach Pendant properly. Do not allow unnecessary strain on the cables. (Do not put heavy objects on the cables. Do not bend or pull the cables forcibly.) The unnecessary strain on the cables may result in damage to the cables, disconnection, and/or contact failure. Damaged cables, disconnection, or contact failure is extremely hazardous and may result in improper function of the system. ■ Make sure that the pins are not bent when connecting the connector. Connecting the connector with the pin bent may cause malfunction and result in improper function of the system. ■ The connector connected to the end of the cable is a general-purpose type connector. When connecting the connector, note that the waterproof efficiency and dustproof efficiency of the connector do not comply with IP65. ■ When connecting the Teach Pendant TP2 to the TP port, be careful of the connector inserting direction (up/down). It may cause malfunction and result in improper function of the system.
---	--

3.4.1 Typical cable connection

The Teach Pendant is connected to TP port of controller.



When nothing is connected to the TP port, Emergency Stop status occurs to the Controller. When the Teach Pendant or the Operator Panel is not connected, connect the TP bypass plug.

Do not connect TP2 to the following Robot Controllers. Connecting to the following Robot Controllers may result in malfunction of the device since the pin assignments are different.

RC420 / RC520 / SRC5** / SRC-3** / SRC-2**

If you use Robot Controller RC180, the Teach Pendant TP2 (option) operation is restricted depending on controller S/N.


S/N: 10001 or later: Available.

S/N: 10000 or below: Teach Pendant cannot be recognized by Robot Controller.

Robot system cannot function except the EMERGENCY STOP switch.

3.4.2 Connection to the Controller

- (1) Make sure that the Controller and the Robot is connected properly.
- (2) Connect the connector of the Teach Pendant cable to the TP port of Controller.
- (3) Turn ON the controller.

- NOTE  - Teach Pendant insert and removal from the Controller are available when the Controller power is ON.
- When Teach Pendant connector is removed from the Controller with the mode selector key switch of Teach Pendant that is in “Teach” position, the operation mode will remain in TEACH mode. The operation mode cannot be switched to AUTO mode. Make sure to remove the Teach Pendant after switching the operation mode to “Auto” mode.

3.5 Power Supply

The power of the Teach Pendant is supplied via the TP connector on the Controller. After the completing the Controller and the Teach Pendant communication, the following screen will appear on the display of the Teach Pendant.


TEACH mode

000 LWM T00 A00 On
X : 0150.000
Y : 0150.000
Z :-0050.000

AUTO mode

Auto	Ready
------	-------

4. Operation Mode (TEACH/AUTO)

NOTE  A coordinate point including the arm pose is defined as “position (point),” and the data is called “point data.”

4.1 Outline

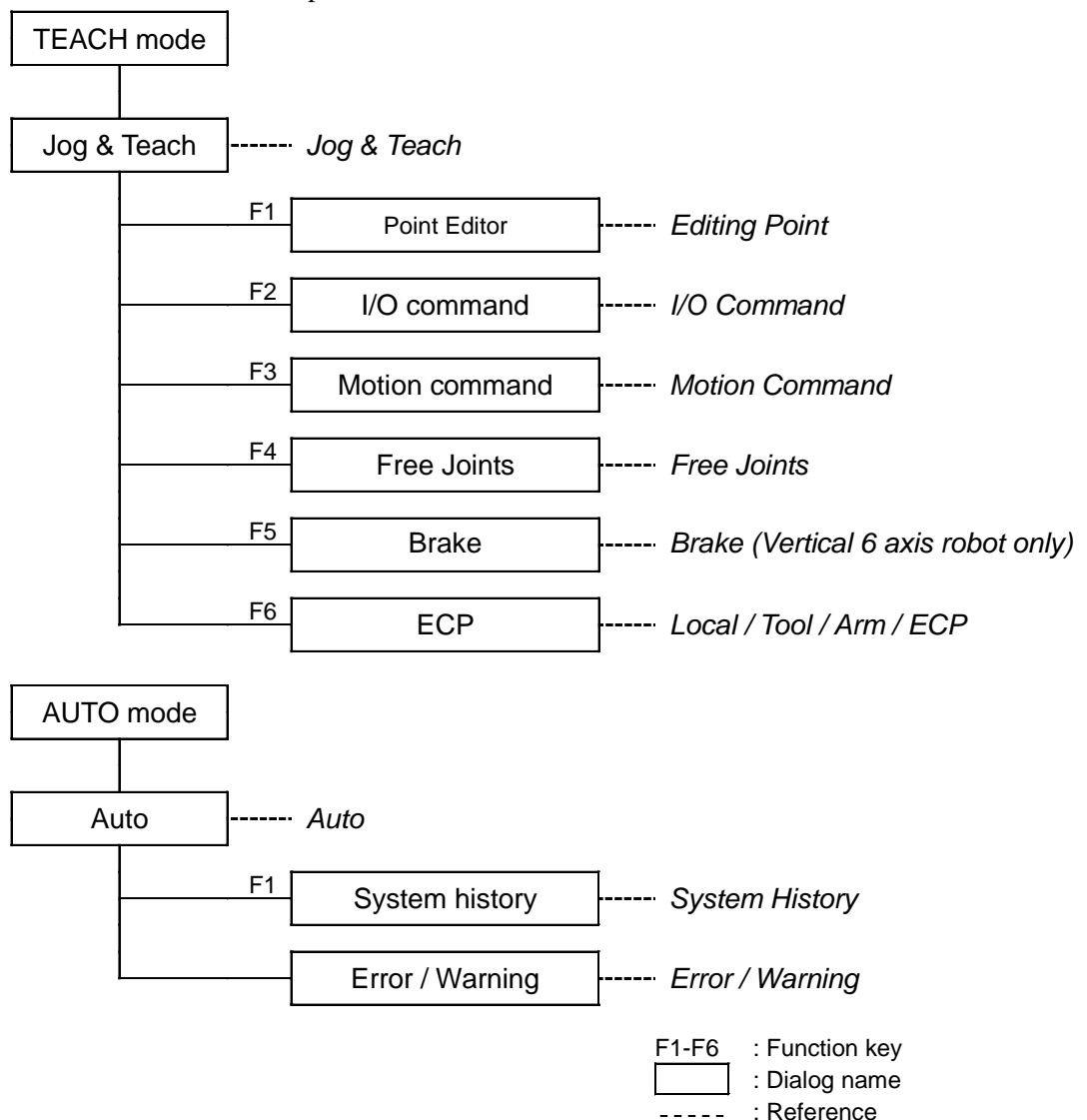
Robot system has two operation modes TEACH mode and AUTO mode.

TEACH mode This mode enables point data teaching and check close from the Robot using the Teach Pendant.

Robot operates in Low power status.

AUTO mode This mode enables automatic operation (program execution) of the Robot system at the manufacture operation, besides, programming, debug, adjustment, and maintenance of the Robot system.

This mode cannot operate Robots or run program with the Safety Door open.



4.2 Switch Operation Mode

Change the TEACH mode and AUTO mode with the mode selector key switch on the Teach Pendant.

- TEACH mode** Turn the mode selector key switch to “Teach” for TEACH mode.
Pauses the executing program when operation mode is switched to TEACH mode.
The operating Robot stops by Quick Pause.
- AUTO mode** Turn the mode selector key switch to “Auto” and change the latch release input signal to ON position for AUTO mode.

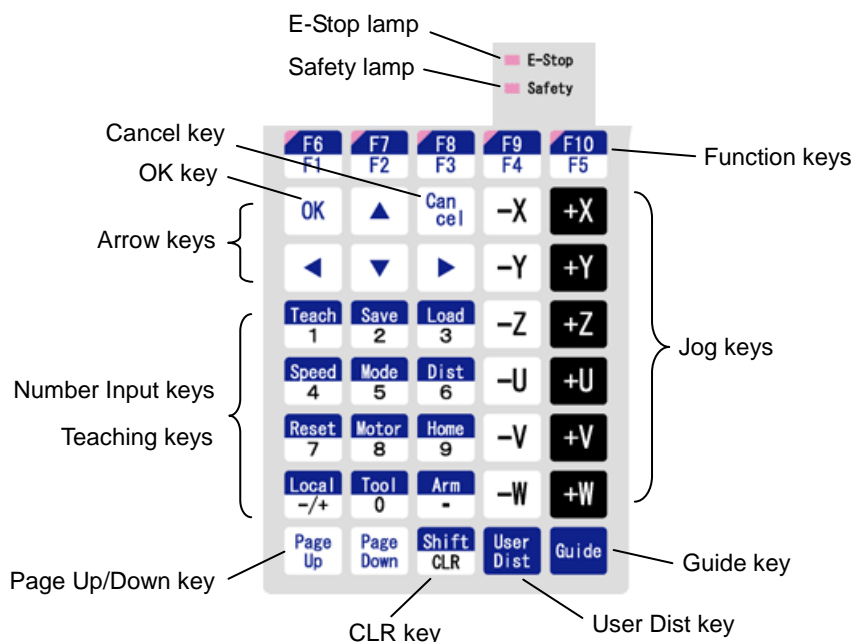
NOTE



The controller software latches that the operation mode is set to “TEACH”.
To switch the mode from TEACH to AUTO, the latch release input is required.
For the latch release, refer to *Robot Controller manual (RC90/RC180): Latch Release Switch*.

5. Operation Panel (Key Description)

Key Description



Number Input Keys

Mode	Key	Function
Number input mode	From 0 to 9	Number input
	- / + .(period)	
	CLR	Clears a number.

Teaching Keys

Teaching key is available only in TEACH mode.

Key	Function
Teach	Saves the current position data
Save	Saves the point data to a file
Load	Loads the point data from a file
Speed	Specifies the Jog speed
Mode	Specifies the Jog mode
Dist	Specifies the Jog distance
Reset	Sets the initial setup status
Motor	Switches the motor power ON/OFF
Home	Moves the robot to home position

Arrow Keys

Key	Function
▲	Moves the cursor up
▼	Moves the cursor down
◀	Move the cursor to the left
▶	Move the cursor to the right

Function Keys

The function keys (F1 to F10) are assigned to each screen.
 To check the key assignment, press the <Guide> key.



Press the <Shift> key when F6 to F10 keys are enabled, it switches between the keys F1 to F5 and F6 to F10.

Example : Jog&Teach Screen Guide

000 LWM T00 A00 On X : 0150.000 Y : 0150.000 Z :-0050.000

F3 : Motion Command F4 : FreeJoint F6 : Edit ECP number

Example : Press the <F3> key to execute motion commands.



When no functions are assigned to a function key, the key is not available.
 Example : <F5>

Jog Keys

Jog key is available only in TEACH mode.

Key	Function
-	Moves the target joint (X to W, J1 to J6) to - direction
+	Moves the target joint (X to W, J1 to J6) to + direction

Other keys

Key	Function
Cancel	Cancels the setting and goes back to the previous screen
OK	Saves the setting and changes to the next screen
Page Up	Changes to the previous page
Page Down	Changes to the next page

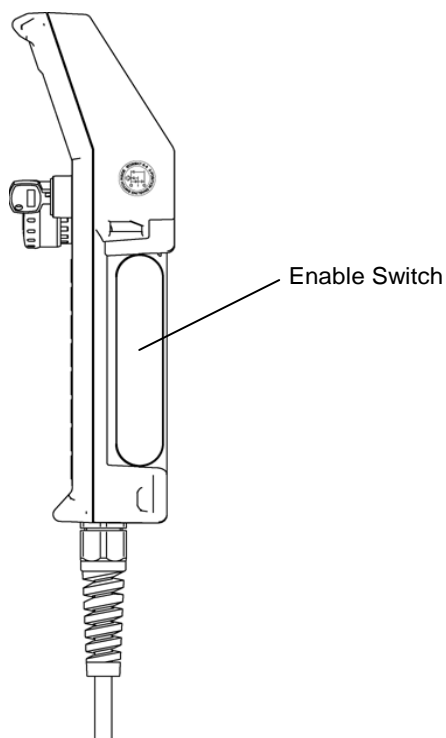
Lamp

Lamp	Function
E-Stop	Turns ON when an EMERGENCY STOP occurs
Safety	Turns ON when the safeguard is open

6. Enable Switch

In TEACH mode, several operations require use of the Enable Switch located on the right side of the pendant.

When the Enable Switch is required to execute an operation, you must hold down the switch to the center (enable) position. To do this, pull the switch until it just stops at the center detent. If you pull harder, or let go, then the switch will be disengaged and the operation will be canceled.



7. Warning Sound (Beep)

The Teach Pendant beeps when the robot passes the singularity.

Operation

This section contains information about operation of the Teach Pendant and maintenance procedure.

1. Teaching Procedure

The basic jog operation and teaching procedure is indicated.

Switch the mode selector switch to “Teach” to display the following screen.

```
000 LWM T00 A00  On
X : 0150.000
Y : 0150.000
Z :-0050.000
```

NOTE



A coordinate point including the arm pose is defined as “position (point),” and the data is called “point data.”

1.1 Jog Operation

Move the Robot to the teaching position by one of the following operation (Step Jog operation, Continuous Jog operation).

Step Jog Operation

In Step Jog, moves the robot by pressing the Jog key each time.

Jog distance of the robot is configured beforehand.

Press the <Dist> key to specify the Jog Distance (L/M/S/U).

```
000 LWM T00 A00  On
```

Execute the step jog by holding down the enable switch as pressing the Jog key.

NOTE



You can set a desired distance as “User” jog distance. For details, refer to *Operation 2.1.9 Jog Distance*.

Continuous Jog Operation

In Continuous Jog, moves the Robot while pressing the Jog key.

Press the <Dist> key to select “C” for the Jog Distance.

```
000 LWC T00 A00  On
```

Execute the continuous jog by gripping the enable switch as pressing the Jog key.

1.2 Teaching

Apply the Robot position to the specified point number.

- (1) Specify the point number you want to teach by pressing the <▲> <▼> keys or <◀> <▶> keys in the [Jog & Teach] screen.
- (2) Press the <Teach> key. The following screen appears.

Teach	Point:000
Ready to assign current position.	
Continue?	

When a point data is already registered in the specified point number, the following screen appears.

Teach	Point:000
Ready to assign current position.	
Overwrite?	

- (3) Press the <OK> key to assign the robot position in the specified point number.
- (4) Press the <Save> key to display the [SavePoints] screen.
- (5) Press the <OK> key in the [SavePoints] screen to save the taught point data in the point file.



In the [SavePoints] screen, if you press the <Cancel> key, it does not save the file and returns to the [Jog & Teach] screen.

1.3 Direct Teaching

“Direct teach” is a way to teach the robot directly by setting the teaching joint to “Servo-OFF”.

Apply the robot position to the specified point number.

- (1) Specify the point number you want to teach by pressing the <▲><▼> keys or <◀><▶> keys in the [Jog & Teach] screen.
- (2) Press the <F4> key to display the [Free Joint] screen.

Free Joint	On
J1:LOCK	J2:LOCK
J3:LOCK	J4:LOCK

Select “SLOCK” or “SFREE” for the each joint.

- <+> Jog key : SFREE for the joint
- <-> Jog key : SLOCK for the joint
- <F1> key : SFREE for all the joints
- <F2> key : SLOCK for all the joints

- (3) “SFREE” joint can be moved with hands.
- (4) Press the <F5> key to return to the [Jog & Teach] screen.
- (5) Move the robot arm to the position to teach.
- (6) Press the <Teach> key. The following screen appears.

Teach	Point:000
Ready to assign current position.	
Continue?	

When the point number is already used, the following screen appears.

Teach	Point:000
Ready to assign current position.	
Overwrite?	

- (7) Press the <OK> key to assign the robot position.
- (6) Press the <Save> key to display the [SavePoints] screen.
- (7) Press the <OK> key in the [SavePoints] screen to save the taught point data in the point file.

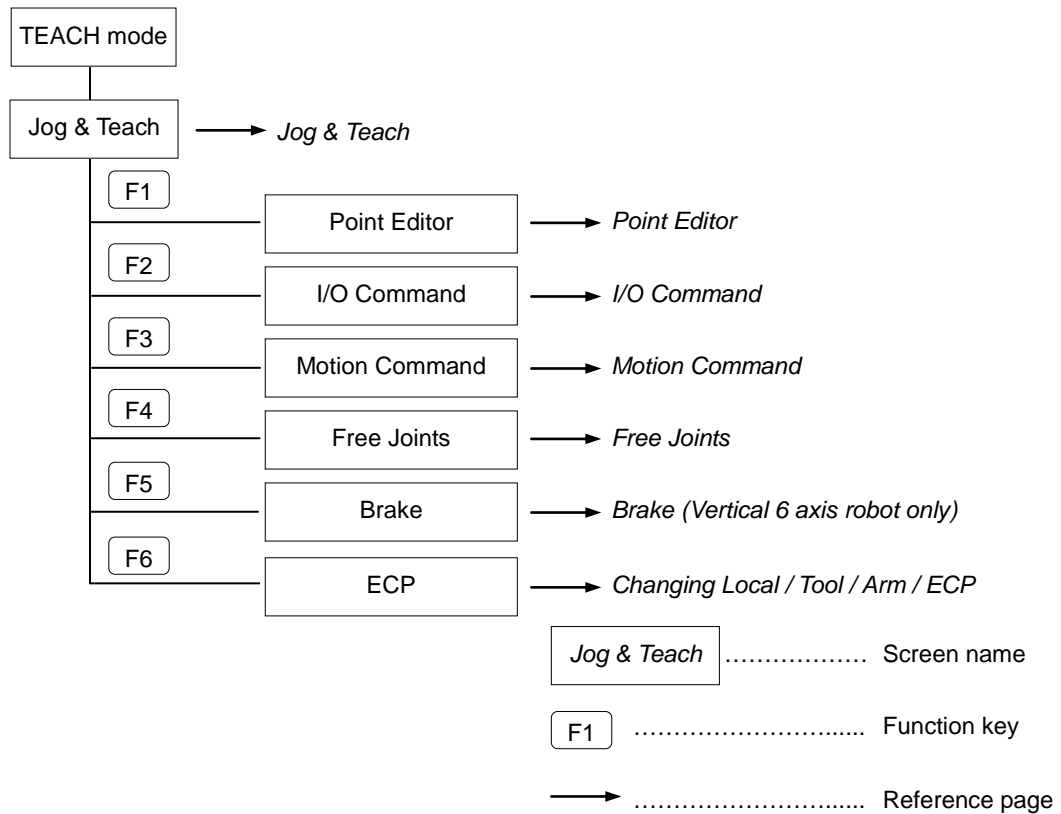


In the [SavePoints] screen, if you press the <Cancel> key, it does not save the file and returns to the [Jog & Teach] screen.

2. TEACH Mode

Switch the mode selector key switch to “Teach” to enter the TEACH mode. In this mode, jog, teaching, operation commands, I/O commands, and other operations and commands can be executed using the Teach Pendant.

Note, however, that the program cluster cannot be executed.

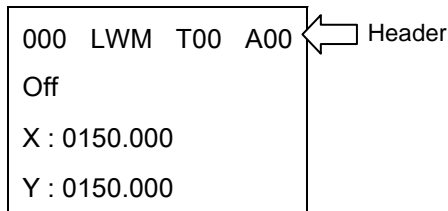


NOTE A coordinate point including the arm pose is defined as “position (point),” and the data is called “point data.”

2.1 Jog & Teach

This section indicates settings in the [Jog & Teach] screen.

- (1) Switch the mode selector key switch to “Teach” to display the following screen.



Header

000	L	W	M	T00	A00	Off
Point Number	Speed Low High	Jog Mode World Tool Local Joint ECP	Jog Distance Long Medium Short User Cont	Tool Number	Arm Number	Motor On Off

Key operation	Description
Jog keys	Executes jog motion.
Reset	Sets the initial setup status.
Motor	Turns ON / OFF the motor.
Teach	Executes a Teach operation. Refer to <i>Operation 2.1.11 Teaching Operation</i> .
Speed	Switches the Speed (Low / High).
Mode	Switches the Jog Mode (World / Tool / Local / Joint / ECP).
Dist	Switches the Jog Distance (Long / Medium / Short / User / Cont).
Home	Execute a Home operation.
Save	Saves a point file. Refer to <i>Operation 2.1.12 Saving Point Data to File</i> .
Load	Loads a point file. Refer to <i>Operation 2.1.13 Loading Point Data from File</i> .
▲ / ▼	Adds / subtracts point number by one.
◀ / ▶	Subtracts / adds point number by ten.
Local	Switches to Local number input mode.
Tool	Switches to Tool number input mode.
Arm	Switches to Arm number input mode.
User Dist	Switches to User Dist number input mode.
Guide	Displays the key operation guide.
Page Up / Down	Changes to the previous or next page.

Key operation	Description
F1	Changes to the point editing screen.
F2	Changes to the I/O command screen.
F3	Changes to the motion command screen.
F4	Changes to the Free Joint screen.
F5	Changes to the Brake screen.
F6	(Available when the ECP option is enabled.) Switches to the ECP number input mode.

2.1.1 Current Position Display

In the [Jog & Teach] screen, you can check the current position while the operation. The current position display shows the whole information in three pages. Press the <Page Up> <Page Down> keys to see the all pages.

	G series, LS series	6 axis robot	RS series
Page 1	000 LWM T00 A00 Off X : 0150.000 Y : 0150.000 Z :-0050.000	000 LWM T00 Off X : 0150.000 Y : 0150.000 Z :-0050.000	000 LWM T00 A00 Off X : 0150.000 Y : 0150.000 Z :-0050.000
Page 2	000 LWM T00 A00 Off U : 0000.000	000 LWM T00 Off U : 0000.000 V : 0000.000 W : 0000.000	000 LWM T00 A00 Off U : 0000.000
Page 3	000 LWM T00 A00 Off Hand : Righty	000 LWM T00 Off Hand : Righty Elbow: Above Wrist: NoFlip	000 LWM T00 A00 Off Hand : Righty J1Flag: 0 J2Flag: 0
Page 4		000 LWM T00 Off J4Flag: 0 J6Flag: 000	

2.1.2 Resetting Error

When an error occurs, press the <Reset> key to clear the error.

The <Reset> key can be executed at any time in TEACH mode.

2.1.3 Motor ON / OFF

This can be executed at any time in TEACH mode when the motor status is displayed in the screen.

Turning ON the motor

- (1) Press the <Motor> key.
- (2) Press the <OK> key in the confirmation screen.

Motor
Ready to turn robot
motors ON.
Continue?

- (3) Robot motor is turned ON and the display changes as below.

000 LWS T00 A00 On

Turning OFF the motor

- (1) Press the <Motor> key.
- (1) Robot motor is turned OFF and the display changes as below.

000 LW S T00 A00 Off

2.1.4 Executing Return to Home

- (1) Press the <Home> key.
- (2) The following screen appears.

Home	On
Hold Enable switch.	
Press the OK Key.	

- (3) Holding down the Enable Switch, press the <OK> key to execute a Home operation.
- (4) When the robot has reached the Home position, it returns to the [Jog & Teach] screen.

2.1.5 Specifying Jog Speed

Press the <Speed> key and select the speed. (Low / High)

- L (Low) : Low jog speed
- H (High) : High jog speed

2.1.6 Executing Jog Motion

The jog motion includes “Step Jog” and “Continuous Jog”.

The following describes how to execute the jog with the “Joint” Jog Mode and “Short” Jog Distance.

- (1) Press the <Mode> key until the Jog Mode turns to ‘J’.

000 LJS T00 A00 Off

For details of the Jog Mode, refer to *Operation 2.1.8 Jog Mode*.

- (2) Press the <Dist> key until the Jog Distance turns to ‘S’.

000 LWS T00 A00 Off

For details of the Jog Mode, refer to *Operation 2.1.9 Jog Distance*.

- (3) Press the <Dist> key until the Jog Distance turns to ‘S’.

Holding down the Enable Switch, press the Jog key.

It executes the Step Jog motion in “Joint” Jog Mode and “Short” Jog Distance.

2.1.7 Changing Local / Tool / Arm / ECP

The following describes how to changing Local / Tool / Arm / ECP.

Changing Local number

- (1) Press the <Local> key.
- (2) It turns to the Local number input mode.

Local: 00

- (3) Using the numeric keys and arrow keys, input the Local number you want to change.
In this example, the number is “15”.

Local: 15

- (4) Press the <OK> key.



When you press the <Cancel> key, it returns to the [Jog & Teach] screen without saving the change.

- (5) The Local number has changed and it returns to the [Jog & Teach] screen.

Changing Tool number

- (1) Press the <Tool> key.
- (2) It turns to the Tool number input mode.

000 LWS T00 A00 Off

- (3) Using the numeric keys and arrow keys, input the Tool number you want to change.
- (4) Press the <OK> key.



When you press the <Cancel> key, it returns to the [Jog & Teach] screen without saving the change.

- (5) The Tool number has changed and it returns to the [Jog & Teach] screen.

Changing Arm number

- (1) Press the <Arm> key.
- (2) It turns to the Arm number input mode.

000 LWS T00 A00 Off

- (3) Using the numeric keys and arrow keys, input the Arm number you want to change.
- (4) Press the <OK> key.



When you press the <Cancel> key, it returns to the [Jog & Teach] screen without saving the change.

- (5) The Arm number has changed and it returns to the [Jog & Teach] screen.

Changing ECP number

Editing the ECP number is available when the ECP option is enabled.

- (1) Press the <Shift> key.
- (2) Press the <F6> key.
- (3) It turns to the ECP number input mode.

ECP: 00

- (4) Using the numeric keys and arrow keys, input the ECP number you want to change.
- (5) Press the <OK> key.



When you press the <Cancel> key, it returns to the [Jog & Teach] screen without saving the change.

- (6) The ECP number has changed and it returns to the [Jog & Teach] screen.

2.1.8 Jog Mode

Press the <Mode> key and specify the Jog Mode.

000 LWS T00 A00 Off

The default setting is “World”.

Mode	Display	Description
World	W	Jogs the robot along the X, Y, Z axes in the current local, tool, arm, and ECP. Also, you can also jog U (roll).
Tool	T	Jogs the robot in the coordinate system defined by the current tool.
Local	L	Jogs the robot in the coordinate system defined by the current local.
Joint	J	Jogs each joint of the robot. Other jog key will appear when using non-Cartesian robots in the “Joint” mode.
ECP	E	Jogs the robot along the axes of the coordinate system defined by the current external control point.

2.1.9 Jog Distance

Press the <Dist> key and select the Jog Distance.

000 LWM T00 A00 Off

The default setting is “Medium”.

Jog type	Jog Distance	Display	Default	Editable from
Continuous	Continuous	C		-
Step	Long	L	10.0	EPSON RC+
	Medium	M	1.0	EPSON RC+
	Short	S	0.1	EPSON RC+
	User	U	0.0	TP2

According to the Jog Distance setting, the Jog type is divided into “Continuous Jog” and “Step Jog”.

Executing Continuous Jog

In Continuous Jog, the robot moves continuously while the Jog key is held down.

- (1) Press the <Dist> key and select “C (Continuous)” at the Jog Distance.
- (2) Holding down the enable switch, press the Jog key to execute Continuous Jog.

Executing Step Jog

In Step Jog, the robot moves each time the Jog key is pressed.
The distance of the robot motion is configured beforehand.

- (1) Press the <Dist> key and select the Jog Distance.
 - L : Long jog distance
 - M : Medium jog distance
 - S : Short jog distance
 - U : User jog distance
- (2) Holding down the enable switch, press the Jog key to execute Step Jog.

Changing User Jog Distance

With TP2, you cannot change the values of Long, Medium, and Short jog distance.
When you want to move the robot in other distance, use the User jog distance that you can specify desired distance.

- (1) Press the <User Dist> key in the [Jog & Teach] screen.
- (2) It turns to the User jog distance input mode.

UserDist: 000.000

- (3) Using the numeric keys and arrow keys, input a desired distance.
- (4) Press the <OK> key.



When you press the <Cancel> key, it returns to the [Jog & Teach] screen without saving the change.

To execute the jog with the User jog distance, select “U (User)” at the Jog Distance.

“U” Jog Distance is available only during the current TEACH mode. Once you switch to the AUTO mode, the Jog Distance will restore to “Short”.

- (5) The User jog distance has changed and it returns to the [Jog & Teach] screen.

2.1.10 SFREE

You can move the robot directly by setting the teaching joint to SFREE.

For the details, refer to *Operation 2.5 Free Joints*.

2.1.11 Teaching Operation

The following describes how to register the current position in P1.

- (1) Press the <▲> key and set the point number at “1”.

001 LWS T00 A00 Off

- (2) Press the <Teach> key.

Teach Point:001
Ready to assign
current position.
Continue?

When the point number is already used, the following screen appears.

Teach Point:001
Ready to assign
current position.
Overwrite?

- (3) Press the <OK> key.
- (4) The point data is registered in the memory and it returns to the [Jog & Teach] screen.



This can also be executed in the [Point Editor] screen.

2.1.12 Saving Point Data to File

You can save the point data registered in the memory to the point file.

- (1) Press the <Save> key.

SavePoints
Pointts.PTS

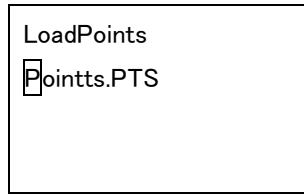
- (2) Press the <OK> key to save the point data to the file.



This can also be executed in the [Point Editor] screen.

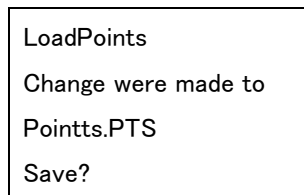
2.1.13 Loading Point Data from File

- (1) Press the <Load> key.



- (2) Move the cursor and select a file.
- (3) Press the <OK> key to load the point data in the file memory.

When there is some change in the point file, the following screen appears.



- (4) Select if you save the point file.
<OK> : Saves the change and loads the point file.
<Cancel> : Does not save the change and loads the point file.



This can also be executed in the [Point Editor] screen.

2.2 Point Editor

This section indicates settings in the [Point Editor] screen.

Press the <F1> key in the [Jog & Teach] screen. The following screen appears.

000 Pick X : 0150.000 Y : 0150.000 Z :-0050.000
--

Key operation	Description
Numeric keys	Inputs a number. (Available in the number input mode.)
CLR	Clears the number to 0.
▲ / ▼	Moves the cursor.
◀ / ▶	Switches the pose flag.
Page Up / Down	Changes to the previous or next page.
OK	Fixes the change and stores in the memory.
Cancel	Cancels the change.
Teach	Executes the teaching operation. Refer to <i>Operation 2.1.11 Teaching Operation</i> .
Save	Saves the point file. Refer to <i>Operation 2.1.12 Saving Point Data to File</i> .
Load	Loads the point file. Refer to <i>Operation 2.1.13 Loading Point Data from File</i> .
Guide	Displays the key operation guide.
F1	Switches to the point number input mode.
F2	Switches to the Local number input mode.
F3	Switches to the number input mode for the current position. Refer to <i>Operation 2.2.2 Editing Points - Changing Coordinate Value</i> .
F4	Deletes the point data from the memory.
F5	Returns to the [Jog & Teach] screen.

2.2.1 Switching Point Editor Display

You can edit the all items except the point label in the [Point Editor] screen.

Press the <Page Up> <Page Down> keys to see the all pages.

	G series, LS series	6 axis robot	RS series
Page 1	000 Pick X : 0150.000 Y : 0150.000 Z : -0050.000	000 Pick X : 0150.000 Y : 0150.000 Z : -0050.000	000 Pick X : 0150.000 Y : 0150.000 Z : -0050.000
Page 2	000 Pick U : 0000.000	000 Pick U : 0000.000 V : 0000.000 W : 0000.000	000 Pick U : 0000.000
Page 3	000 Local:00 Hand : Righty	000 Local:00 Hand : Righty Elbow: Above Wrist: NoFlip	000 Local:00 Hand : Righty J1Flag: 0 J2Flag: 0
Page 4		000 Local:00 J4Flag: 0 J6Flag: 000	

2.2.2 Editing Point Data

The following describes how to edit the point data.

Changing Point Number

- (1) Press the <F1> key. It turns to the point input mode.

000 Pick

- (2) Input a number.
- (3) Press the <OK> key and fix the change of the point number.

Changing Coordinate Value

- (1) Move the cursor to the target coordinate and press the <F3> key. It turns to the coordinate value input mode.

```
000 Pick
X : 0150.000
Y : 0150.000
Z :-0050.000
```

- (2) Input a number.
Press the <-> <+> keys to change the sign.
- (3) Press the <OK> key to change the coordinate value.

Changing Local Number

- (1) Press the <F2> key in the screen that displays the local number. It turns to the local number input mode.

```
000 Local:00
```

- (2) Input a number.
- (3) Press the <OK> key and fix the change of the local number.

Changing Pose Flag

- (1) Move the cursor to "Hand".

```
000 Local:00
Hand : Righty
```

- (2) Press the <◀> or <▶> key to change the flag.
- (3) Press the <OK> key and fix the change of the Hand flag.

Registering Point Data

Press the <OK> key to apply in the memory.

2.2.3 Deleting Point Data

- (1) Display the registered point.
- (2) Press the <F4> key. Then, the point data is deleted from the memory.



The point file will not be updated.

If you delete the point data by mistake, load the point file again to restore the point data.

2.3 I/O Command

This section indicates settings in the [I/O Command] screen.

Press the <F2> key in the [Jog & Teach] screen. The following screen appears.

Input
0 Off Start
1 Off SpelProg1
2 Off SpelProg2

Status	Description
On	Input bit or output bit is ON status.
Off	Input bit or output bit is OFF status.

Key Operation	Description
▲ / ▼	In the Outputs status display, moves the cursor and selects the output bit.
Page Up / Down	Changes to the previous or next page.
Guide	Displays the key operation guide.
Enable Switch + F1	Turns ON the selected output bit.
Enable Switch + F2	Turns OFF the selected output bit.
F3	Switches between the Inputs / Outputs status display.
F5	Returns to the [Jog & Teach] screen.

2.3.1 Input Status Display

Press the < Page Up > < Page Down > keys to display the input bit status.

2.3.2 Changing Outputs Bit

(1) Press the <F3> key to display the “Output” status.

Output	F1:On	F2:Off
0 On	Ready	
1 Off	Running	
2 Off	Paused	

(2) Move the cursor to the output bit that you want to change.

(3) Holding down the Enable Switch, press the <F1> or <F2> key to switch the ON / OFF status of the output bit.

A warning appears if you switch the ON / OFF status of the output bit without holding down the Enable Switch.

2.4 Motion Command

This section indicates settings in the [Motion Command] screen.

Press the <F3> key in the [Jog & Teach] screen. The following screen appears.

SCARA robot

Motion	Off
1:Jump:Z(0)	4:Move
2:Jump	5:Arc
3:Go	

6 axis robot

Motion	Off
1:Go	4:GoHereTLZ
2:Move	5:MoveHereTLZ
3:Arc3	

Key Operation	Description
▲ / ▼	Moves the cursor and select the motion command.
OK	Executes the motion command.
Motor	Turns ON / OFF the motor.
Reset	Sets the initial setup status.
Guide	Displays the key operation guide.
F5	Returns to the [Jog & Teach] screen.

2.4.1 Executing Motion Command

The following indicates the procedure for executing motion commands with an example of motion command [Go P1].

Selecting Motion Command

- (1) Move the cursor to **3** and press the <OK> key.

Motion	On
1:Jump:Z(0)	4:Move
2:Jump	5:Arc
3:Go	

- (2) The Go command setting screen appears.

Go	L On
Points.PTS	
Point:000	

Specifying Motion Command Parameter

- (1) Specify the point number. Press the <F1> key to turn to the point number input mode.

Go	L On
Points.PTS	
Point:001	

- (2) Input a point number. Then, press the <OK> key and set the point number.
- (3) Press the <OK> key and display the confirmation screen of the motion command execution.

Go	L On
Go P1	
Hold Enable switch.	
Press the OK Key.	

Executing Motion Command

- (1) When it is ready to start the motion, hold down the Enable Switch and press the <OK> key.
- (2) When the motion is finished, it returns to the motion command selection screen.



While you are holding down the Enable Switch and pressing the <OK> key, it continues executing the motion command. If you release the Enable Switch or the <OK> key, the motion stops and the screen returns to the confirmation of motion command execution.

2.4.2 Jump Z(0)

This section indicates settings in the command advanced setting screen.

Jump:Z(0)	L On
Points:PTS	
Point:000	

Key operation	Description
OK	Fixes the parameter setting and displays the execution confirmation screen.
Cancel	Returns to the motion command selection screen.
Motor	Turns ON / OFF the motor.
Speed	Switches the speed (Low / High).
Reset	Sets the initial setup status.
Guide	Displays the key operation guide.
F1	Switches to the point number input mode.
F5	Returns to the [Jog & Teach] screen.

2.4.3 Jump

This section indicates settings in the command advanced setting screen.

Jump	L On
Point:000	
+Z : 000.00	
LimZ: 000.00	

Key operation	Description
OK	Fixes the parameter setting and displays the execution confirmation screen.
Cancel	Returns to the motion command selection screen.
Motor	Turns ON / OFF the motor.
Speed	Switches the speed (Low / High).
Reset	Sets the initial setup status.
Guide	Displays the key operation guide.
F1	Switches to the point number input mode.
F3	Switches to the +Z input mode.
F4	Switches to the LimZ input mode.
F5	Returns to the [Jog & Teach] screen.

2.4.4 Go

This section indicates settings in the command advanced setting screen.

Go	L On
Points.PTS	
Point:000	

Key operation	Description
OK	Fixes the parameter setting and displays the execution confirmation screen.
Cancel	Returns to the motion command selection screen.
Motor	Turns ON / OFF the motor.
Speed	Switches the speed (Low / High).
Reset	Sets the initial setup status.
Guide	Displays the key operation guide.
F1	Switches to the point number input mode.
F5	Returns to the [Jog & Teach] screen.

2.4.5 Move

This section indicates settings in the command advanced setting screen.

Move	L On
Points.PTS	
Point:000	
ROT:No	ECP:No

Key operation	Description
OK	Fixes the parameter setting and displays the execution confirmation screen.
Cancel	Returns to the motion command selection screen.
Motor	Turns ON / OFF the motor.
Speed	Switches the speed (Low / High).
Reset	Sets the initial setup status.
Guide	Displays the key operation guide.
F1	Switches to the point number input mode.
F3	ROT: Switches between Enabled (Yes) and Disabled (No).
F4	(Available when the ECP option is enabled.) ECP: Switches between Enabled (Yes) / Disabled (No).
F5	Returns to the [Jog & Teach] screen.

2.4.6 Arc

This section indicates settings in the command advanced setting screen.

Arc	L On
MiddleP:000	
EndP :000	
ROT:No	

Key operation	Description
OK	Fixes the parameter setting and displays the execution confirmation screen.
Cancel	Returns to the motion command selection screen.
Motor	Turns ON / OFF the motor.
Speed	Switches the speed (Low / High).
Reset	Sets the initial setup status.
Guide	Displays the key operation guide.
F1	MiddleP: Switches to the Middle Point number input mode.
F2	EndP: Switches to the End Point number input mode.
F3	ROT: Switches between Enabled (Yes) and Disenabled (No).
F5	Returns to the [Jog & Teach] screen.

2.4.7 Arc3

This section indicates settings in the command advanced setting screen.

Arc3	L On
MiddleP:000	
EndP :000	
ROT:No	ECP:No

Key operation	Description
OK	Fixes the parameter setting and displays the execution confirmation screen.
Cancel	Returns to the motion command selection screen.
Motor	Turns ON / OFF the motor.
Speed	Switches the speed (Low / High).
Reset	Sets the initial setup status.
Guide	Displays the key operation guide.
F1	MiddleP: Switches to the Middle Point number input mode.
F2	EndP: Switches to the End Point number input mode.
F3	ROT: Switches between Enabled (Yes) and Disabled (No).
F4	ECP: Switches between Enabled (Yes) and Disabled (No).

2.4.8 GoHereTLZ

This section indicates settings in the command advanced setting screen.

GoHereTLZ	L On
TLZ: 000.00	

Key operation	Description
OK	Fixes the parameter setting and displays the execution confirmation screen.
Cancel	Returns to the motion command selection screen.
Motor	Turns ON / OFF the motor.
Speed	Switches the speed (Low / High).
Reset	Sets the initial setup status.
Guide	Displays the key operation guide.
F2	TLZ: Switches to the TLZ input mode.

2.4.9 MoveHereTLZ

This section indicates settings in the command advanced setting screen.

MoveHereTLZ	L On
TLZ:	000.00

Key operation	Description
OK	Fixes the parameter setting and displays the execution confirmation screen.
Cancel	Returns to the motion command selection screen.
Motor	Turns ON / OFF the motor.
Speed	Switches the speed (Low / High).
Reset	Sets the initial setup status.
Guide	Displays the key operation guide.
F2	TLZ: Switches to the TLZ input mode

2.5 Free Joints

This section indicates settings in the [Free Joints] screen.

Press the <F4> key in the [Jog & Teach] screen. The following screen appears.

Free Joint	On
J1:LOCK	J2:LOCK
J3:LOCK	J4:LOCK

Status	Description
Free	SFREE for the joint
Lock	SLOCK for the joint
(Blank)	Motor OFF or invalid joint

Key operation	Description
<-> Jog key	SFREE for the joint.
<+> Jog key	SLOCK for the joint.
Reset	Sets the initial setup status.
Motor	Turns ON / OFF the motor.
Guide	Displays the key operation guide.
F1	SFREE for the all joints.
F2	SLOCK for the all joints.
F5	Returns to the [Jog & Teach] screen.

2.5.1 SFREE for Each Joint

- (1) Turn ON the motor.
- (2) Press the <-> Jog Key of the joint that you want to servo OFF.
- (3) The status switches from "Lock" to "Free".
- (4) Now, you can move the specified joint by hand.
- (5) Press <+> Jog Key of the joint that you want to servo ON.
- (6) The status switches from "Free" to "Lock".

2.5.2 SFREE for All Joints

- (1) Turn ON the motor.
- (2) Press the <F1> key.
- (3) The status of all joints switches from “Lock” to “Free”.
- (4) Now, you can move all the joints by hand.
- (5) Press the <F2> key.
- (6) The status of all joints switches from “Free” to “Lock”.

2.6 Brake

This section indicates settings in the [Brake] screen.

Press the <F5> key in the [Jog & Teach] screen. The following screen appears.

Brake	Off
J1:On	J2:On
J3:On	J4:On
J5:On	J6:On

Status	Description
On	Brake ON for the joint.
Off	Brake OFF for the joint.

Key operation	Description
<-> Jog key	Brake OFF for each joint
<+> Jog key	Brake ON for each joint
Reset	Sets the initial setup status.
Motor	Turns ON / OFF the motor.
Guide	Displays the key operation guide.
F5	Returns to the [Jog & Teach] screen.

2.6.1 Turn the brake ON

- (1) Press the <Jog+> key of the joint whose brake On/Off setting is to be switched.

2.6.2 Turn the brake OFF

- (1) Press the <Jog-> key of the joint whose brake On/Off setting is to be switched.
- (2) The brake Off confirmation message appears.

Warning: BRAKE OFF can be cause the joint to Fall. Continue?

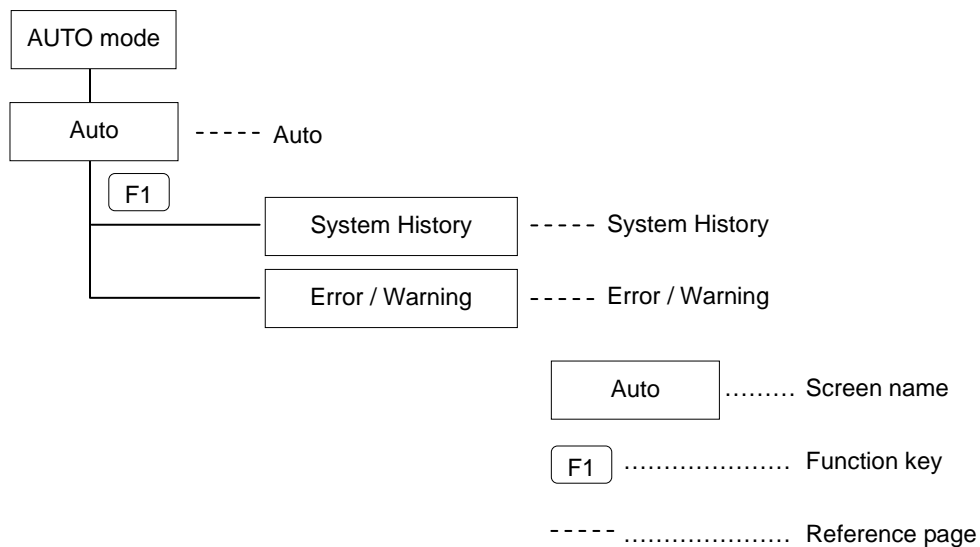
- (3) Press the <OK> key
- (4) The brake is released, and the specified joint moves manually.

3. AUTO Mode

Switch the mode selector key switch to “Auto” to enter the AUTO mode.

The AUTO mode enables the automated operation (program execution, etc.) of the robot system in the factory and also the status check of the robot system.

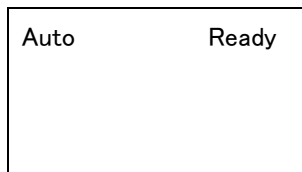
In the AUTO mode, if the safety door is open, the robot motion and program execution are prohibited.



3.1 Auto

This section indicates settings in the [Auto] screen.

When starting the controller with the mode selector key switch in “Auto”, the following screen appears at the beginning.



Key operation	Description
Guide	Displays the key operation guide.
F1	Displays the [System History] screen.

3.2 System History

This section indicates settings in the [System History] screen.

This screen displays a history of events, errors, and warnings that occurred in the past.

Ev	126 0	0 03/16
Er	4031 0	0 03/16
Ev	128 0	0 03/16
Wa	511 0	0 03/16

Format of System History

Type	Error code	Axis No.	Task No.	Date
Ev : Event	4 digits	1 digit	4 digits	MM/DD
Er : Error				
Wa : Warning				



For the error codes, refer to the manual *SPEL⁺ Language Reference: SPEL⁺ Error Messages*.

Key operation	Description
Page Up / Down	Changes to the previous or next page.
Guide	Displays the key operation guide.
F5	Returns to the [Auto] screen.

3.3 Errors / Warnings

The error number is displayed when an error occurs.

Error: 4031

The warning number is displayed when a warning occurs.

Warning: 501

Key operation	Description
OK	Changes to the screen before the error occurred.
Cancel	Changes to the screen before the error occurred.



For the errors and warnings, refer to the manual *SPEL⁺ Language Reference: SPEL⁺ Error Messages*.

4. Troubleshooting

Display panel is blank

- The Controller supplies DC24V.
Check that the Controller is ON.
- Check that the Controller is connected to the TP connector of the Controller properly.

An Error code appears and the Robot does not operate normally

- Please refer to the error code indicated in the Controller manual.

Robot does not move by pressing the Jog key

- Execute the Motor On command to energize the Robot motor.
(Refer to *SPEL+ Language Reference: Motor On.*)
- Energize the Robot motor.
(Refer to *SPEL+ Language Reference: SLock.*)
- Short jog distance may be selected.
Check the value in the [Jog Distance] screen of the EPSON RC+ and change the setting to long distance if needed.
(Refer to *Operation: 2.1.9 Jog Distance.*)

Operation mode does not switch from TEACH mode to AUTO mode

- Send the latch release input signal to release the latch status.

If the condition does not change after performing the countermeasure above, the unit may have suffered a breakdown.

Please contact the service center or the manufacturer.

5. Maintenance Parts List

Be sure to specify the proper codes when ordering maintenance parts.

Part Name	Code	Note
TP2 (with cables)	R12B120112	Cable: D-sub connector (5 m)
Key	R13B120113	Mode selector key switch

